

Future Technology Devices International Ltd.

FT1248 Dynamic Parallel/Serial Interface Basics Application Note AN_167

Document Reference No.: FT_000390

Version 1.0

Issue Date: 2011-02-16

This application note describes the functionality of the new FT1248 mode interface developed by FTDI. The interface allows for 1-bit, 2-bit, 4-bit or 8-bit wide data to be clocked in or out.

Future Technology Devices International Ltd (FTDI)

Unit 1, 2 Seaward Place, Centurion Business Park, Glasgow, G41 1HH, United Kingdom

Tel.: +44 (0) 141 429 2777 Fax: + 44 (0) 141 429 2758

E-Mail (Support): support1@ftdichip.com

Use of FTDI devices in life support and/or safety applications is entirely at the user's risk, and the user agrees to defend, indemnify and hold harmless FTDI from any and all damages, claims, suits or expense resulting from such use.

1 Introduction

FT1248 is a new interface which provides a synchronous half duplex interface to external logic. The FT1248 interface is a slave interface requiring an external clock to be supplied to any FTDI chip which has the FT1248 interface. The width of the FT1248 data bus may be configured as 1 bit, 2 bit, 4 bit or 8 bit wide. This provides the flexibility and trade-off of bandwidth verses pin-count. At the time of writing this application note the interface is available only on the FT232H device.

This application note discuss how to access, configure and control the FT1248 synchronous interface.

1.1 FT232H Devices

FT232H is the third USB 2.0 hi-speed device developed by FTDI. This device builds on the experience gained from the FT2232H and FT4232H developments and goes some way to meeting the customer demands for a smaller IC package by providing a bridge from the USB to a single channel interface. As with previous FTDI devices, the interface may be configured to perform different tasks. Interface options include: UART (upto 12MBaud), asynchronous FIFO (upto 8MByte/s), synchronous FIFO (upto 35MByte/s), MPSSE (upto 30Mbit/s) Fast Serial, Bitbang and the new FT1248 mode which will be discussed in this app note.

The FT232H IO levels are 3V3 but 5V tolerant.

The package options are 48 pin LQFP and QFN with a temperature range of -40°C to +85°C.

Table of Contents

1	Introduction	1
1.1	FT232H Devices	1
2	FT232H FT1248 Hardware.....	3
2.1	Interconnect	3
2.2	Signal Functions.....	3
3	Generic FT1248 Interface Description	4
4	Determining the Dynamic Bus Width.....	5
5	Reading and Writing with Alternative Bus Widths	6
5.1	1-Bit Wide Mode.....	6
5.2	2-Bit Wide Mode.....	8
5.3	4-Bit Wide Mode.....	10
5.4	8-Bit Wide Mode.....	13
5.5	FT1248: NAK	16
5.6	FT1248: No Flow Control During SS_n Inactive.....	16
6	Supported Commands on the FT1248 Interface	18
7	LSB or MSB Selection	19
8	Clock Phase/Polarity	20
8.1	CPHA = 1	20
9	Modem Emulation.....	22
10	Contact Information.....	23
	Appendix A – References.....	24
	Appendix B – List of Figures and Tables	25
	Appendix C – Revision History.....	26
	Appendix D Legal Disclaimer:.....	27

2 FT232H FT1248 Hardware

2.1 Interconnect

This block diagram, Figure 2.1, shows the FT232H pins used when in FT1248 mode.

Depending on whether the design requires 1-bit, 2-bit, 4-bit or 8-bit data transfer will determine if all the MIOSIO lines are wired up or not. Unused MIOSIO lines may be left unterminated. The choice of how many pins to use is system dependant. The flexibility of the interface comes from the fact that the system designer has the choice to use as many pins that are available to them, rather than be limited to a single serial interface or an 8 bit parallel interface (the normal two choices available).

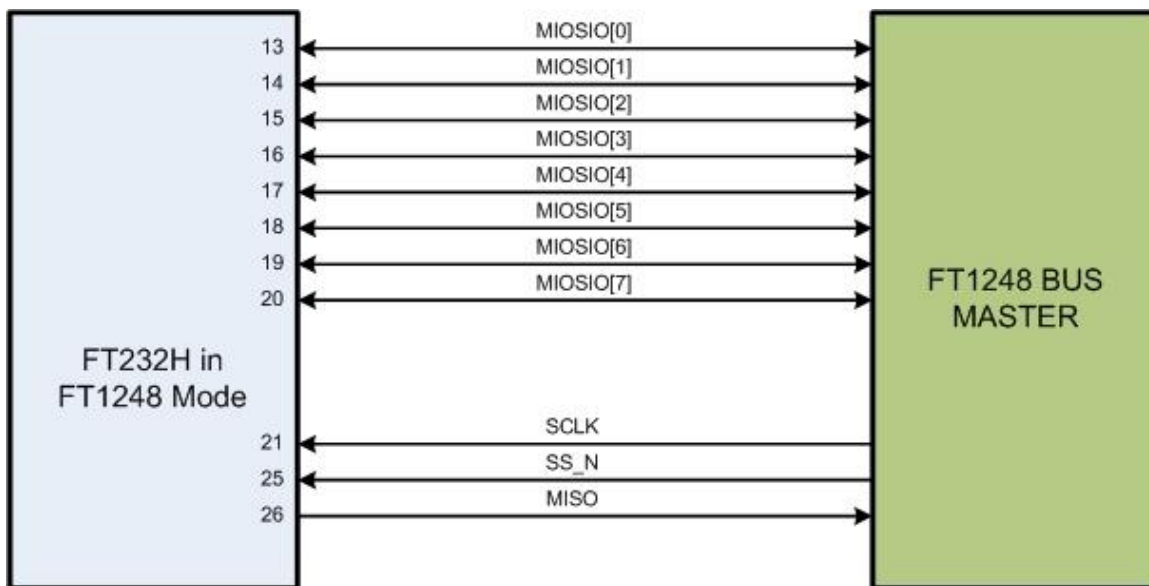


Figure 2.1 – FT232H Device FT1248 Mode Block Diagram

The device is configured in FT1248 mode is via an EEPROM setting (external EEPROM for the FT232H). Configuration of the EEPROM can be done with the free utility FT_PROG.

http://www.ftdichip.com/Support/Utilities/FT_Prog_v1.12.zip

(please check for latest version on the FTDI website)

2.2 Signal Functions

MIOSIO[x] pins are the bi-directional data lines between the FT232H and the external master controller. Each pin of the FT232H has an internal pull up and as such no external pullup or down is required.

SCLK is the external clock input for latching data in or out the device. The frequency of SCLK can be upto 30MHz.

SS_N is the Slave select input. The external master device must pull this line to logic 0 to activate the interface.

MISO Master In Slave Out is an output from the FT232H in FT1248 mode to provide status info.

3 Generic FT1248 Interface Description

The FT1248 protocol has a dynamic bi-directional data bus interface that can be configured as 1, 2, 4, or 8-bits wide providing users with the flexibility to configure the interface with performance, pin count and PCB area in mind. For example, 1-bit mode it requires 8 clock cycles to get 8 data bits and in 8-bit mode all 8 bits are sent with one clock.

While SS_n is inactive, the FT1248 reflects the status of the write buffer and read buffers within the FT232H on the MIOSIO[0] and MISO wires respectively. The buffers are 1kBytes each and the status will reflect if at least one byte of space is available for the external device to write to and whether at least one byte is available to be read by the external device.

The FT232H is a FT1248 slave device. Additionally, the FT1248 slave block supports multiple slave devices where an FT1248 master can communicate with multiple slave devices. When the slave is sharing buses with other slave devices, the write and read buffer status cannot be reflected on the MIOSIO[0] and MISO wires during SS_n inactivity as this would cause bus contention. Therefore, it is possible for the user to select whether they wish to have the buffer status switched on or off during inactivity.

(This setting may be applied in an external EEPROM with FT_PROG at the same time as selecting FT1248 mode).

In the FT1248 there are 3 distinct phases:

When SS_n is active a command/bus size phase occurs first. Following the command phase is the data phase, for each data byte transferred, the FT1248 slave drives an ACK/NAK status onto the MISO wire. The master can send multiple data bytes so long as SS_n is active, if a unsuccessful data transfer occurs, i.e. a NAK happens on the MISO wire then the master should immediately abort the transfer by de-asserting SS_n.

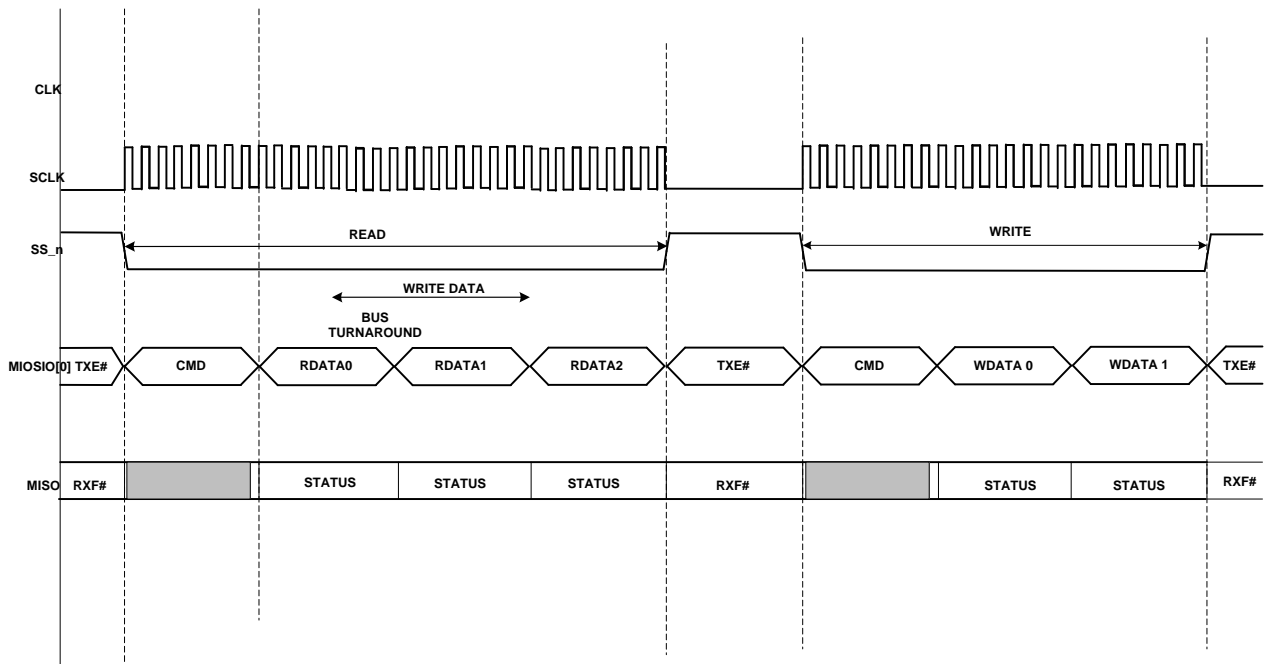


Figure 3.1: FT1248 Basic Waveform Protocol.

4 Determining the Dynamic Bus Width

The FT1248 bus width is dynamic. In order for the FT232H, in FT1248 mode, to determine the bus width within the command phase, the bus width is encoded along with the actual commands on the first active clock edge when SS_n is active and has a data width of 8-bits.

If any of the MIOSIO[7:4] signals are driven low by the external FT1248 host then the data transfer width equals 8-bits

If any of the MIOSIO[3:2] signals are driven low by the external FT1248 host then the data transfer width equals 4-bits

If MIOSIO[1] signal is driven low by the external FT1248 host then the data transfer width equals 2-bits

Else the bus width is defaulted to 1-bit

In order to successfully decode the bus width, all MIOSIO signals must have pull up resistors. By default, all MIOSIO signals shall be seen by the FT232H in FT1248 mode as logic '1' from the internal resistors. This means that when a FT1248 master does not wish to use certain MIOSIO signals, the slave (FT232H) is still capable of determining the requested bus width since any unused MIOSIO signals shall be pulled up by default.

The remaining bits used during the command phase are used to contain the command itself which means that it is possible to define up to 16 unique commands.

	LSB				MSB			
	CMD[3]	BWID 2-bit	BWID 4-bit	CMD[2]	BWID 8-bit	CMD[1]	CMD[0]	X
	0	1	2	3	4	5	6	7
1-bit Bus Width	CMD[3]	X	X	CMD[2]	X	CMD[1]	CMD[0]	X
2-bit Bus Width	CMD[3]	0	X	CMD[2]	X	CMD[1]	CMD[0]	X
4-bit Bus Width	CMD[3]	X	0	CMD[2]	X	CMD[1]	CMD[0]	X
8-bit Bus Width	CMD[3]	X	X	CMD[2]	0	CMD[1]	CMD[0]	X
	0	1	2	3	4	5	6	7

Figure 4.1: FT1248 Command Structure

5 Reading and Writing with Alternative Bus Widths

5.1 1-Bit Wide Mode

In this mode the data bus is 1 bit wide with data transfer accessed on MIOSIO0.

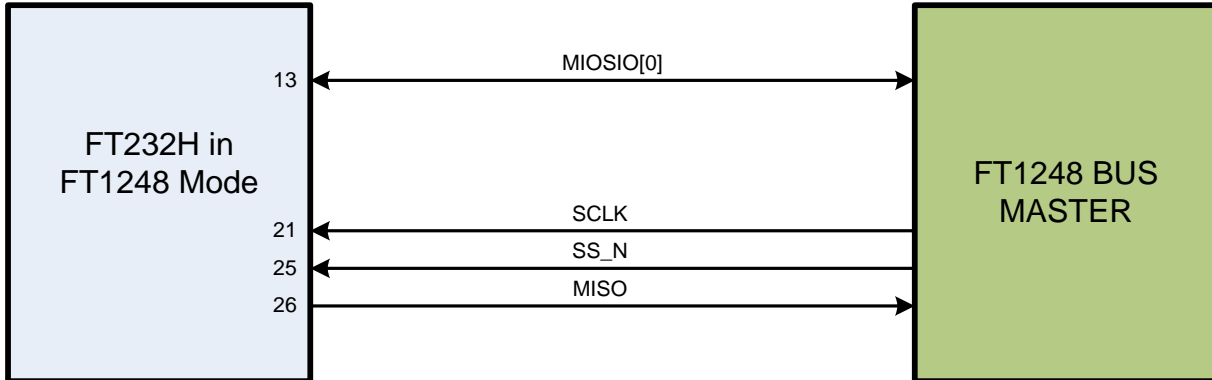


Figure 5.1: FT1248 1-bit Mode Interconnect

Figure 5.2 and Figure 5.3 illustrates the waveform detailing the FT1248 write and read protocol operating in 1-bit mode.

When SS_n is inactive the write buffer and read buffer status is reflected on the MIOSIO[0] and MISO signals respectively. When the master wishes to initiate a data transfer, SS_n becomes active. As soon as SS_n becomes active the FT1248 slave immediately stops driving the MIOSIO[0] signal and FT1248 master is not allowed to begin driving the MIOSIO[0] signal until the first clock edge, this ensures that bus contention is avoided.

On the first clock edge the command is shifted out for 7 clocks, on the 8th clock cycle a bus turnaround is required. The bus turnaround is required as the slave may be required to drive the MIOSIO[0] bus with read data. The data phase occurs in response to the command and so long as SS_n remains active. The data phase in 1-bit mode requires 8 clock cycles where the MIOSIO[0] signal transfers the requested write or read data. The MISO signal indicates to the master the success of the transfer with an ACK or NAK.

The status is reflected through the whole of the data phase and is valid from the first clock edge. If the master is writing data to the slave, then on the last clock edge before it de-asserts SS_n must tri-state the MIOSIO[0] signal to enable the bus to be "turned" around as when SS_n becomes inactive the FT1248 slave shall begin to drive the write buffer status onto the MIOSIO[0] signal. When the FT1248 slave is driving the MIOSIO[0] (the master is reading data) no bus turnaround is required as when SS_n becomes inactive it is required to drive the write buffer status to the FT1248 master.

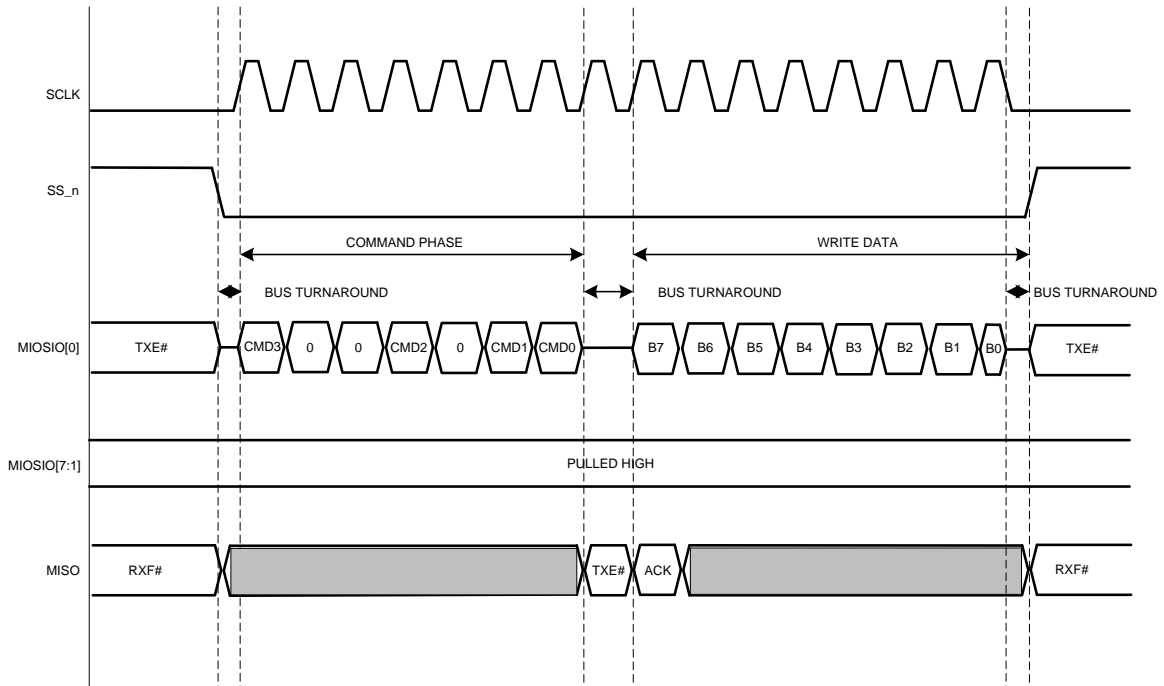


Figure 5.2: FT1248 1-bit Mode Protocol (WRITE)

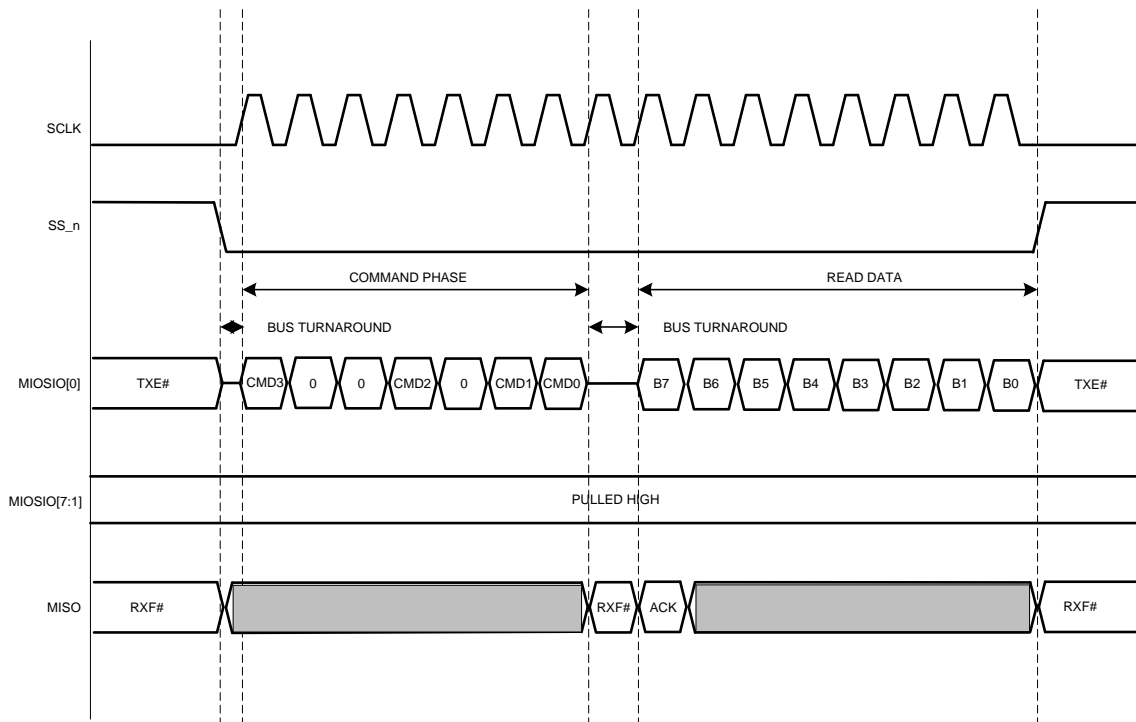


Figure 5.3: FT1248 1-bit Mode Protocol (READ)

5.2 2-Bit Wide Mode

In this mode the data bus is 2 bits wide with data transfer accessed on MIOSIO[0] and MIOSIO[1].

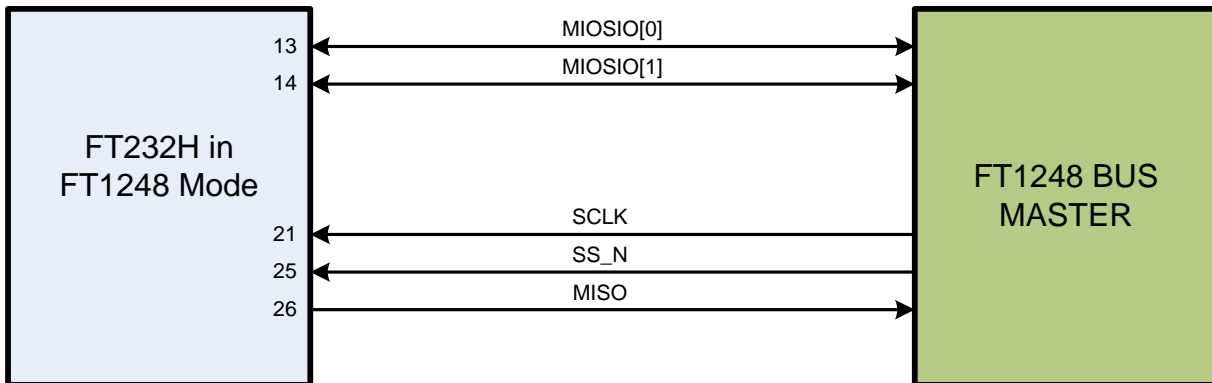


Figure 5.4: FT1248 2-bit Mode Interconnect

Figure 5.5 and Figure 5.6 illustrates the waveform detailing the FT1248 write and read protocol operating in 2-bit mode. When SS_n is inactive the write buffer and read buffer status is reflected on the MIOSIO[0] and MISO signals respectively. When the master wishes to initiate a data transfer, SS_n becomes active. As soon as SS_n becomes active the FT1248 slave immediately stops driving the MIOSIO[0] signal and FT1248 master is not allowed to begin driving the MIOSIO[1:0] signals until the first clock edge, this ensures that bus contention is avoided. On the first clock edge the command is shifted out for 4 clocks, with the command data being shared between MIOSIO[0] and MIOSIO[1] signals, on the 5th clock cycle a bus turnaround is required. The bus turnaround is required as the slave may be required to drive the MIOSIO[1:0] bus with read data. The data phase occurs in response to the command and so long as SS_n remains active. The data phase in 2-bit mode requires 4 clock cycles where the MIOSIO[1:0] signal transfers the requested write or read data. The MISO signal indicates to the master the success of the transfer with an ACK or NAK. The status is reflected through the whole of the data phase and is valid from the first clock edge. If the master is writing data to the slave, then on the last clock edge before it de-asserts SS_n must tri-state the MIOSIO[1:0] signal to enable the bus to be "turned" around as when SS_n becomes inactive the FT1248 slave shall begin to drive the write buffer status onto the MIOSIO[0] signal.

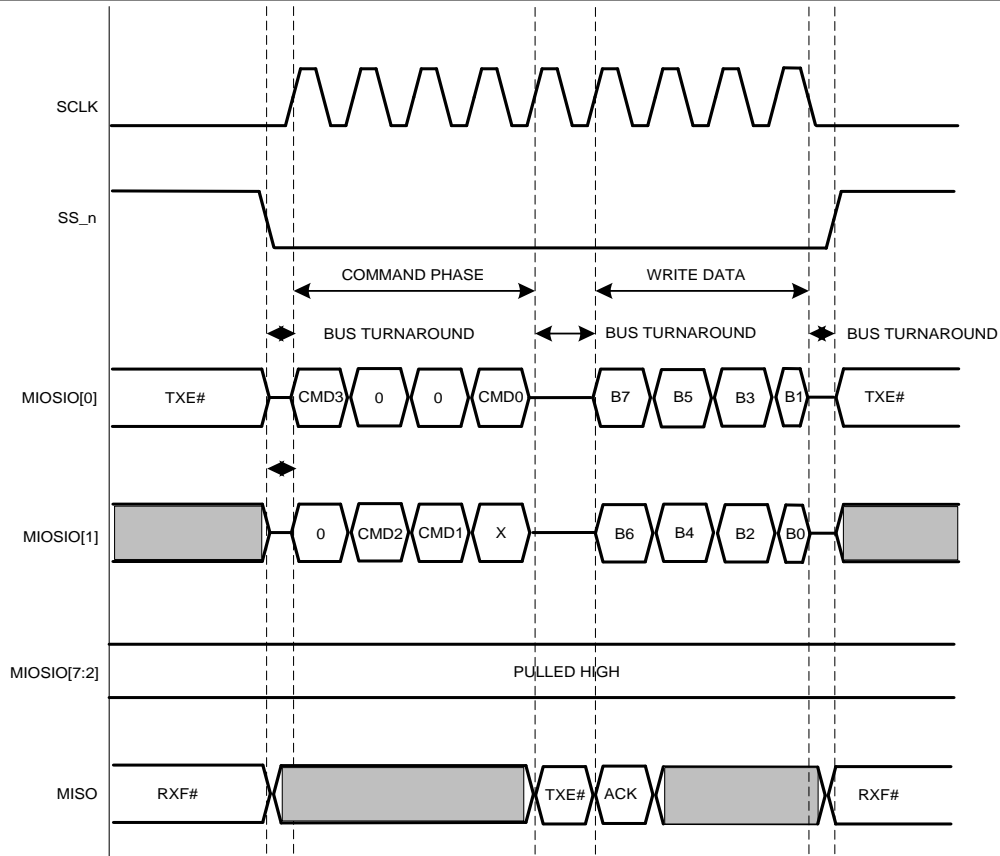


Figure 5.5: FT1248 2-bit Mode Protocol (WRITE)

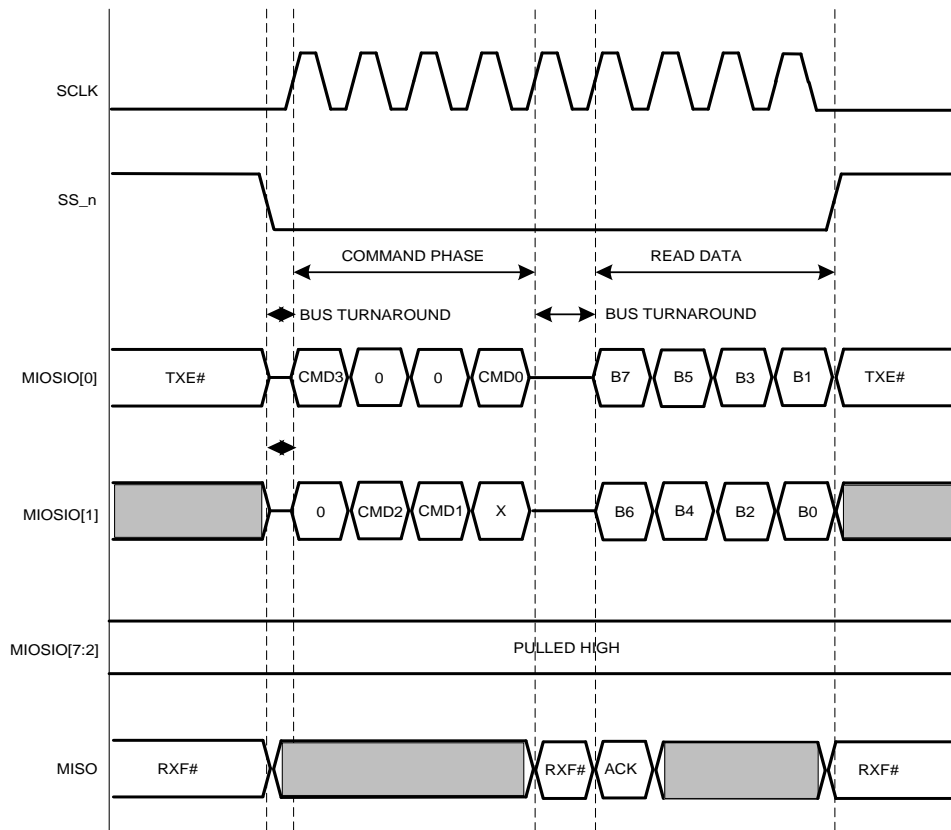


Figure 5.6: FT1248 2-bit Mode Protocol (READ)

5.3 4-Bit Wide Mode

In this mode the data bus is 4 bits wide with data transfer accessed on MIOSIO[0], MIOSIO[1], MIOSIO[2] and MIOSIO[3].

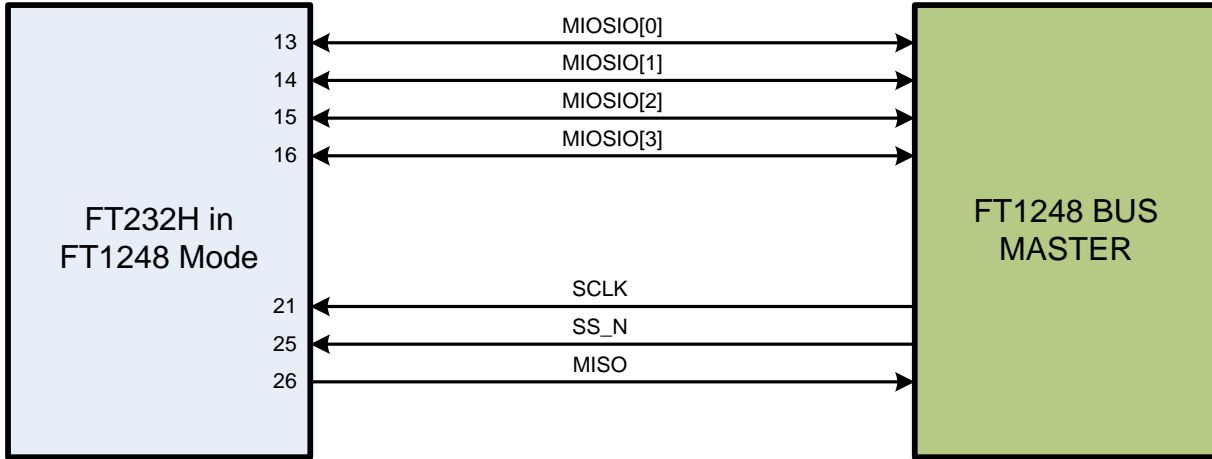


Figure 5.7: FT1248 4-bit Mode Interconnect

Figure 5.8 and Figure 5.9 illustrates the waveform detailing the FT1248 write and read protocol operating in 4-bit mode. When SS_n is inactive the write buffer and read buffer status is reflected on the MIOSIO[0] and MISO signals respectively. When the master wishes to initiate a data transfer, SS_n becomes active. As soon as SS_n becomes active the FT1248 slave immediately stops driving the MIOSIO[0] signal and FT1248 master is not allowed to begin driving the MIOSIO[3:0] signals until the first clock edge, this ensures that bus contention is avoided. On the first clock edge the command is shifted out for 2 clocks, with the command data being shared between MIOSIO[0], MIOSIO[1], MIOSIO[2], MIOSIO[3] signals, on the 3rd clock cycle a bus turnaround is required. The bus turnaround is required as the slave may be required to drive the MIOSIO[3:0] bus with read data. The data phase occurs in response to the command and so long as SS_n remains active. The data phase in 4-bit mode requires 3 clock cycles where the MIOSIO[3:0] signal transfers the requested write or read data. The MISO signal indicates to the master the success of the transfer with an ACK or NAK. The status is reflected through the whole of the data phase and is valid from the first clock edge. If the master is writing data to the slave, then on the last clock edge before it de-asserts SS_n must tri-state the MIOSIO[3:0] signal to enable the bus to be "turned" around as when SS_n becomes inactive the FT1248 slave shall begin to drive the write buffer status onto the MIOSIO[0] signal.

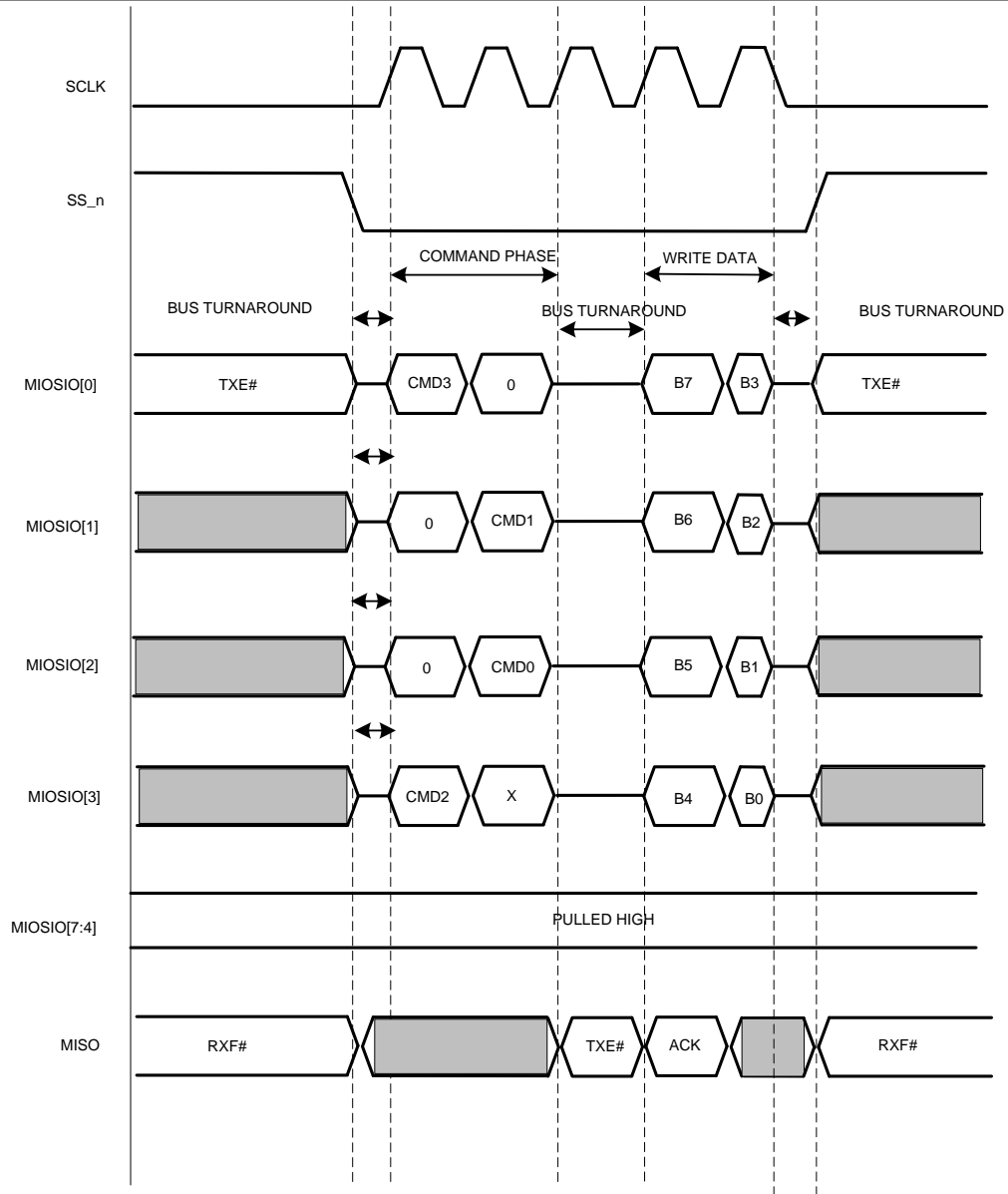


Figure 5.8: FT1248 4-bit Mode Protocol (WRITE)

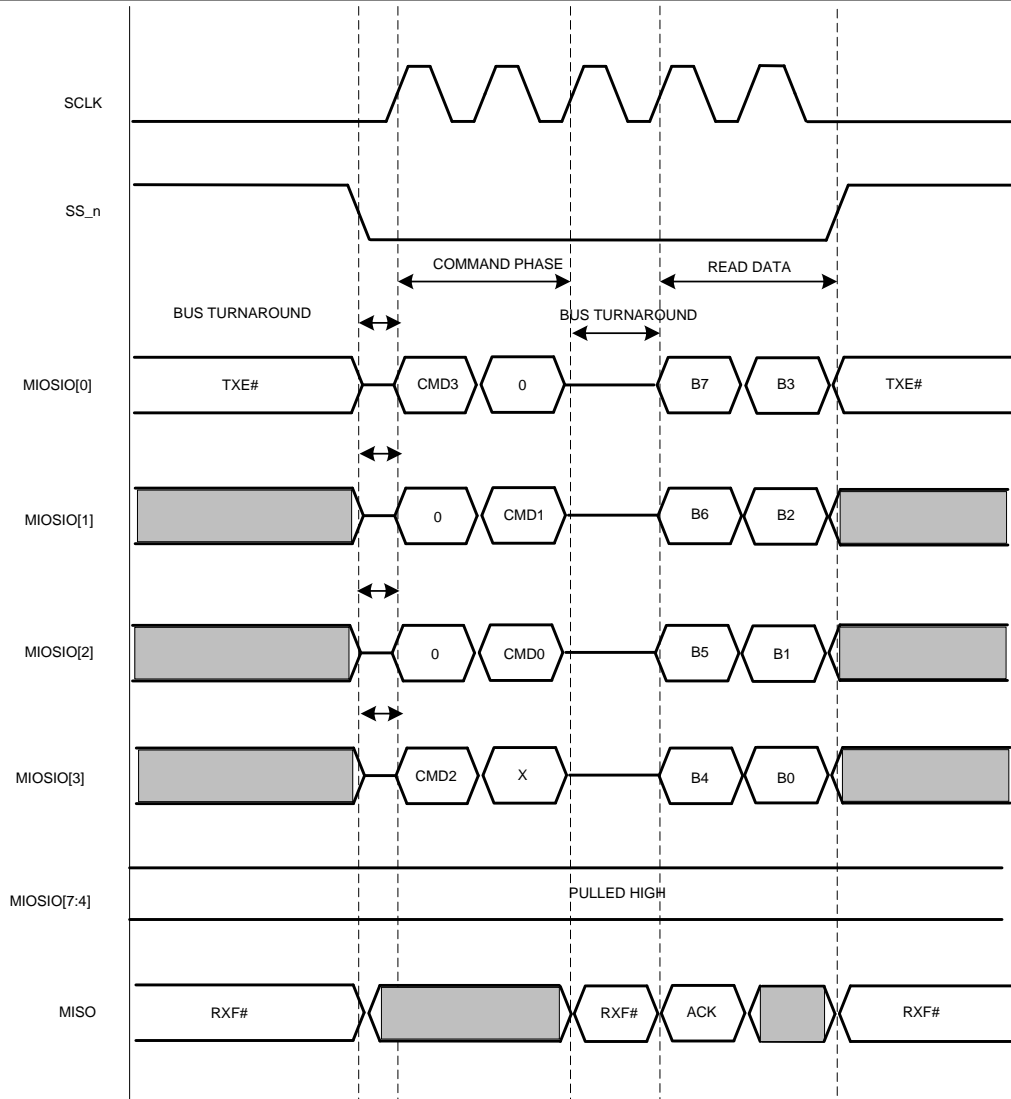


Figure 5.9: FT1248 4-bit Mode Protocol (READ)

5.4 8-Bit Wide Mode

In this mode the data bus is 8 bits wide with data transfer accessed on all data lines MIOSIO[0] - MIOSIO[7].

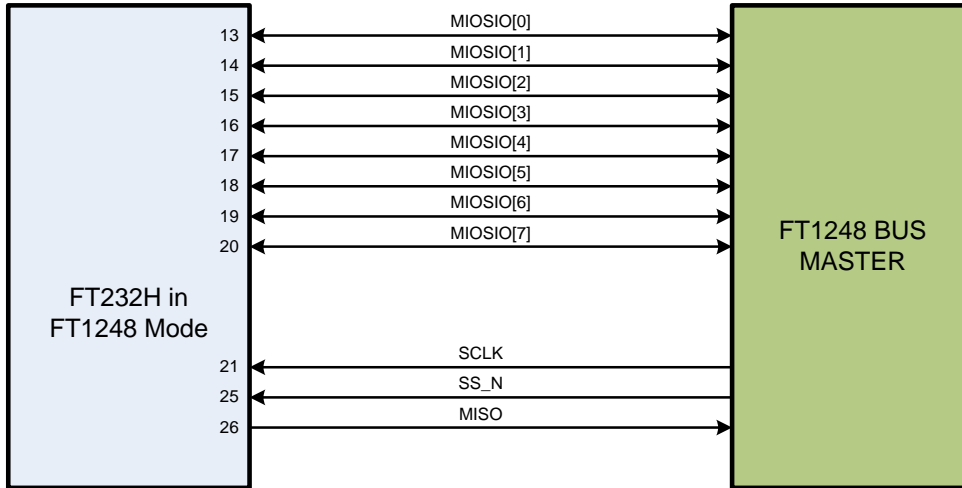


Figure 5.10: FT1248 4-bit Mode Interconnect

Figure 5.11 and figure 5.12 illustrates the waveform detailing the FT1248 write and read protocol operating in 8-bit mode. When SS_n is inactive the write buffer and read buffer status is reflected on the MIOSIO[0] and MISO signals respectively. When the master wishes to initiate a data transfer, SS_n becomes active. As soon as SS_n becomes active the FT1248 slave immediately stops driving the MIOSIO[0] signal and FT1248 master is not allowed to begin driving the MIOSIO[7:0] signals until the first clock edge, this ensures that bus contention is avoided. On the first clock edge the command is clocked. 00, with the command data being shared between MIOSIO[0], MIOSIO[1], MIOSIO[2], MIOSIO[3] signals, on the 3rd clock cycle a bus turnaround is required. The bus turnaround is required as the slave may be required to drive the MIOSIO[3:0] bus with read data. The data phase occurs in response to the command and so long as SS_n remains active. The data phase in 8-bit mode requires 2 clock cycles where the MIOSIO[3:0] signal transfers the requested write or read data. The MISO signal indicates to the master the success of the transfer with an ACK or NAK. The status is reflected through the whole of the data phase and is valid from the first clock edge. If the master is writing data to the slave, then on the last clock edge before it de-asserts SS_n must tri-state the MIOSIO[3:0] signal to enable the bus to be "turned" around as when SS_n becomes inactive the FT1248 slave shall begin to drive the write buffer status onto the MIOSIO[0] signal.

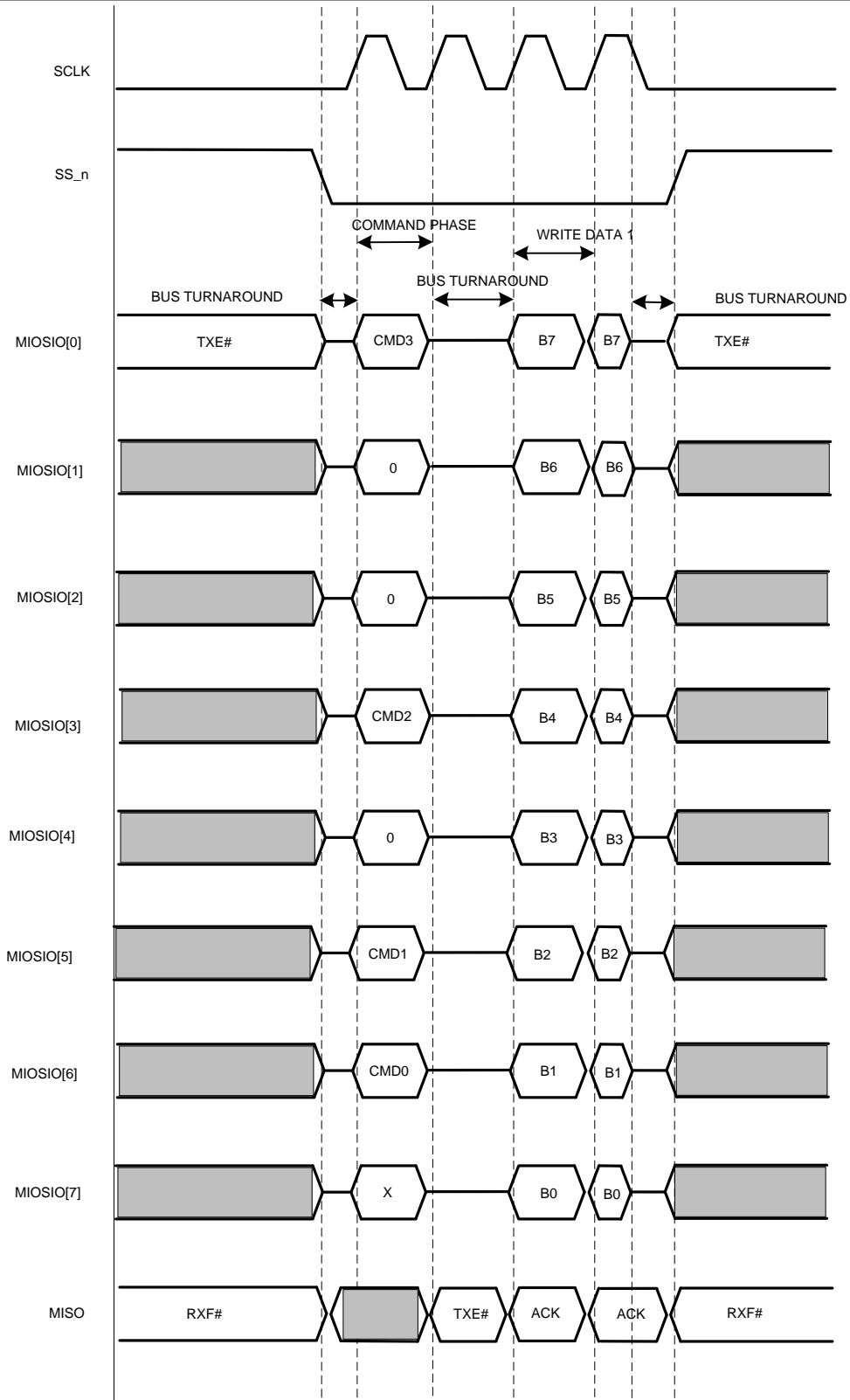


Figure 5.11: FT1248 8-bit Mode Protocol (WRITE)

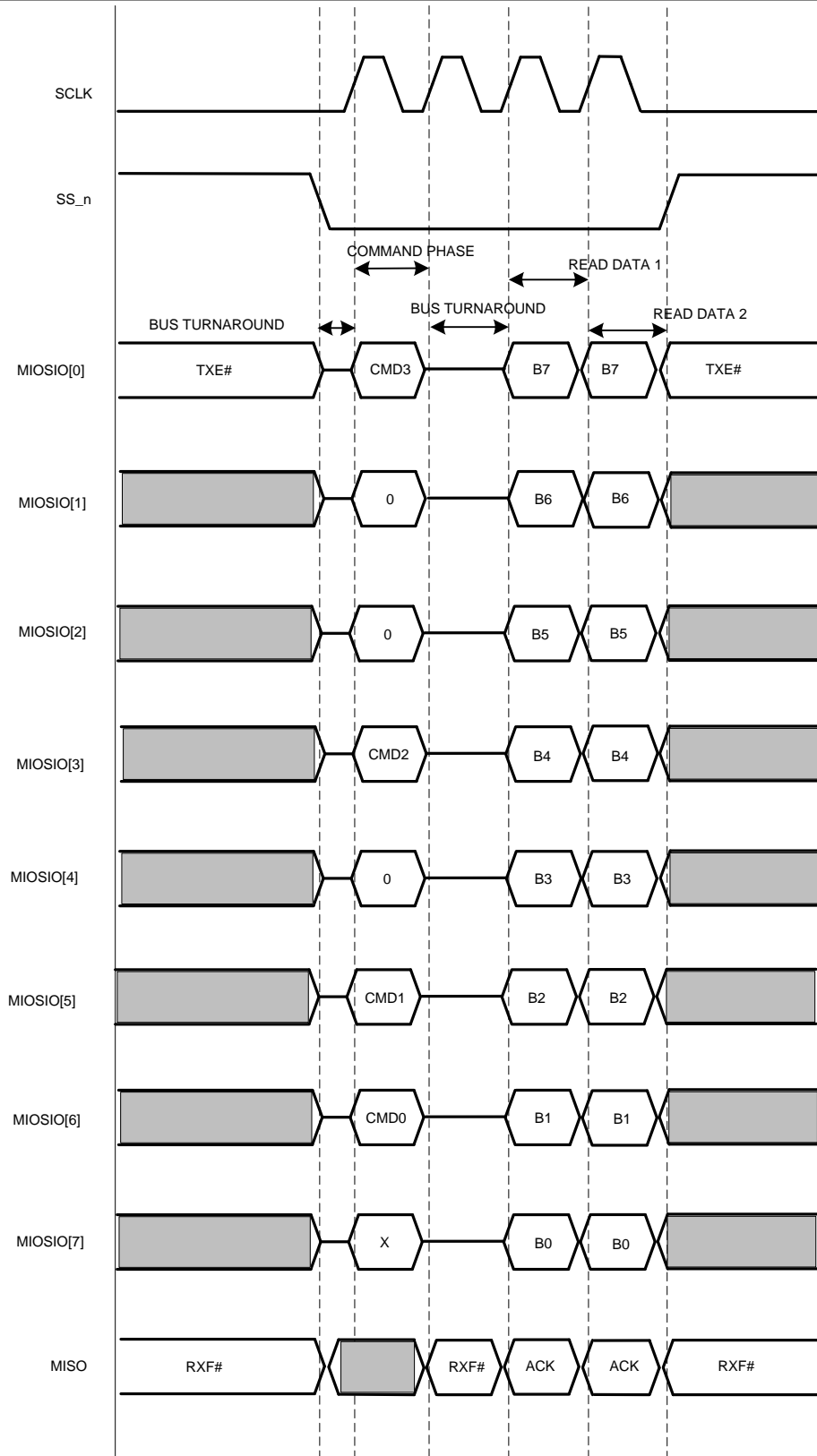


Figure 5.12: FT1248 8-bit Mode Protocol (READ)

5.5 FT1248: NAK

When SS_n is active and the packet is in the data transfer stage, MISO is used to indicate a buffer full condition on writing data into the chip and a buffer empty condition on reading from the chip. If during this cycle, a NAK occurs, the FT1248 master should consider the cycle as aborted. In this case data will not be written since either the buffer was full or the data being read is invalid as read buffer was empty. Typically, the FT1248 master should make SS_n inactive on the next clock edge in response. However, if it doesn't the FT232H will internally abort write transfers anyway. For read transfers, the FT1248 slave block doesn't care as it is the master responsibility to correctly interpret the flow control. The FT1248 master can continue to keep re-trying each N clocks until the transfer completes successfully or gives up trying and returns SS_n to its inactive state.

It is up to the FT1248 master to retry these aborted cycles at a later point in time in order to continue the data transfer process without data loss.

5.6 FT1248: No Flow Control During SS_n Inactive

FT1248 is a shared bus architecture where an FT1248 master can communicate with multiple slaves. The FT1248 can be also share signals with other FT1248 slave devices. However, when the FT1248 is in this mode the write and read buffer status can not be driven on to the MIOSIO[0] and MISO wires. Figure 5.13 and Figure 5.14 illustrate the FT1248 protocol with no flow control being driven when SS_n is inactive. In the waveforms below it shows no flow control for a read and write data transfer when in 1-bit mode, it should be note that it is exactly the same protocol for the other bus width transfers (2-4-8-bit) where the only exception is the MIOSIO bus size being used.

It should also be noted that when there is no flow control being presented on the bus during inactivity there is additional status information relayed to the FT1248 master device on the MISO wire during the command phase. Following every command cycle there is a one clock cycle pause where the bus can be "turned around". During this clock cycle the FT1248 slave issues the status on the MISO wire. The status type, either RXF# or TXE#, is dependent on the command sent.

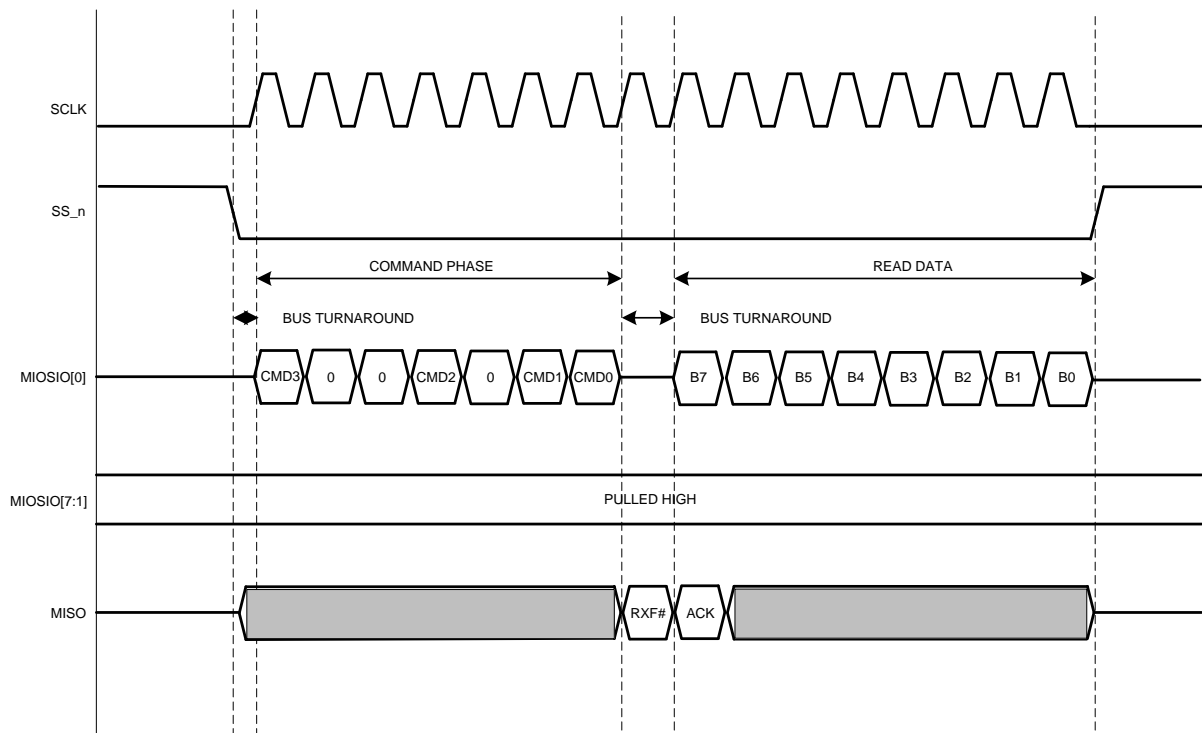


Figure 5.13: FT1248 Read (No Flow Control)

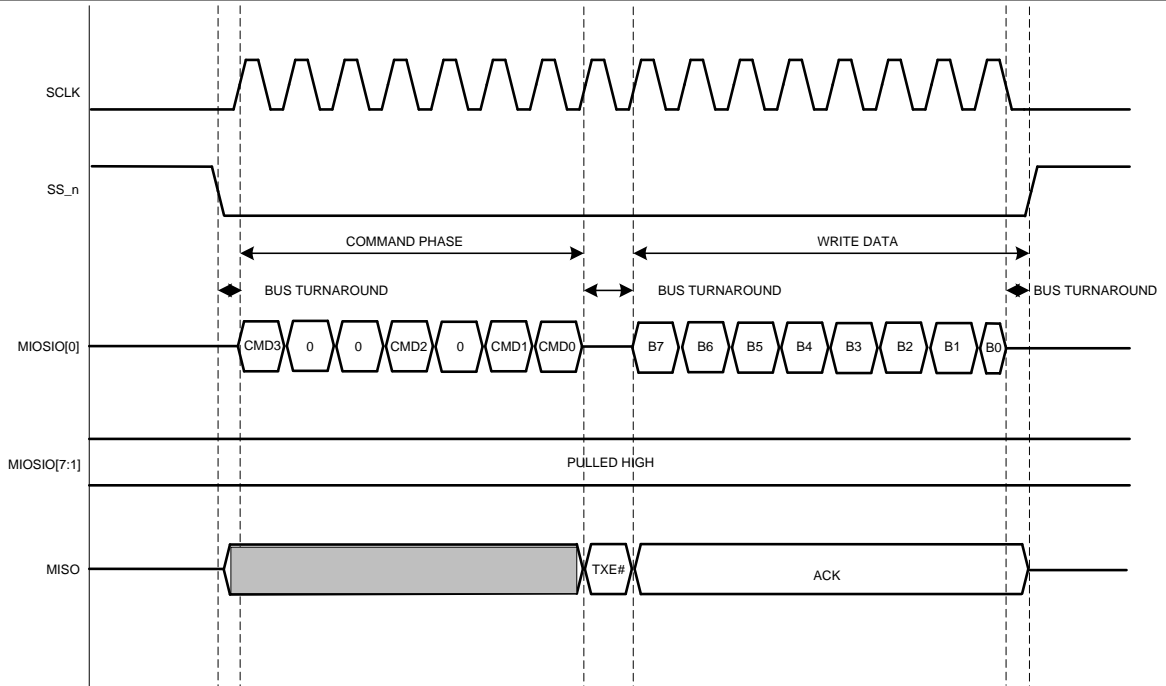


Figure 5.14: FT1248 Write (No Flow Control)

6 Supported Commands on the FT1248 Interface

The FT1248 interface can accept and decode up to 16 unique commands. At this time only 5 unique commands are implemented as shown below.

Command	Identifier	Description
write	0x0	Write request command
read	0x1	Read request command
read modem status	0x2	
write modem status	0x3	
write buffer flush	0x4	Write buffer flush request – This command is used to indicate to the FT1248 slave that its write buffers should be flushed rather than wait for any latency timers to expire. If this command is received the FT1248 block will flag the upstream controllers (USB FIFOs etc) to flush their write buffers regardless of what content is present in the FT1248 write buffer
Reserved	0x5 – 0xF	Unused Commands

Table 6.1: FT1248 Commands

7 LSB or MSB Selection

The data can be sent/received Least Significant Bit First (LSB) or Most Significant Bit First (MSB). To determine which mode is used by the FT1248 interface of the FT232H the EEPROM must be set.

This may be selected with FT_PROG at the same time as the FT1248 mode is being selected.

8 Clock Phase/Polarity

The FT1248 slave does not need to have any knowledge of clock rate as this is supplied by the FT1248 master. However the relationship between clock and data needs to be controllable, to allow the slave to operate in the same way as the master such that data is correctly driven and sampled on the correct clock phases. By configuring the polarity and phase of SCLK with respect to the data it is possible to match the FT1248 master.

There are 4 possible modes which are determined by the Clock Polarity (CPOL) and Clock Phase (CPHA) signals. The different combinations of these signals are commonly referred to as modes, see Table 8.1 below. For the FT1248 slave, only 2 of these 4 modes are supported. CPHA will always be set to 1 in the FT1248 slave because data is available or driven on to MIOSIO wires on the first clock edge after SS_n is active and is therefore sampled on the trailing edge of the first clock pulse. When CPHA equals 0, it means data must be available or driven onto the MIOSIO wires on the first leading edge of the clock after SS_n is active. However, during this period between SS_n becoming active and the first leading clock edge is when the MIOSIO wires are being "turned around" as when SS_n is inactive the FT1248 slave is driving the write buffer status. Supporting CPHA = 0 would result in bus contention and therefore, shall not be supported.

Mode	CPOL	CPHA	Supported
0	0	0	NO
1	0	1	YES
2	1	0	NO
3	1	1	YES

Table 8.1: CPOL & CPHA Mode Numbers

When CPOL is 1, the idle state of the clock is high. When CPOL is 0, the idle state of the clock is low. It should be noted that clock phase and polarity need to be identical for the master and attached slave device.

8.1 CPHA = 1

When CPHA is set to '1', the first edge after SS_n goes low will be used to shift (or drive) the first data bit onto MIOSIO. Every odd numbered edge after this will shift out the next data bit. Incoming data will be sampled on the second or trailing SCLK edge and every even edge thereafter.

Figure 8.1 shows this for both CPOL = 0 and CPOL = 1.

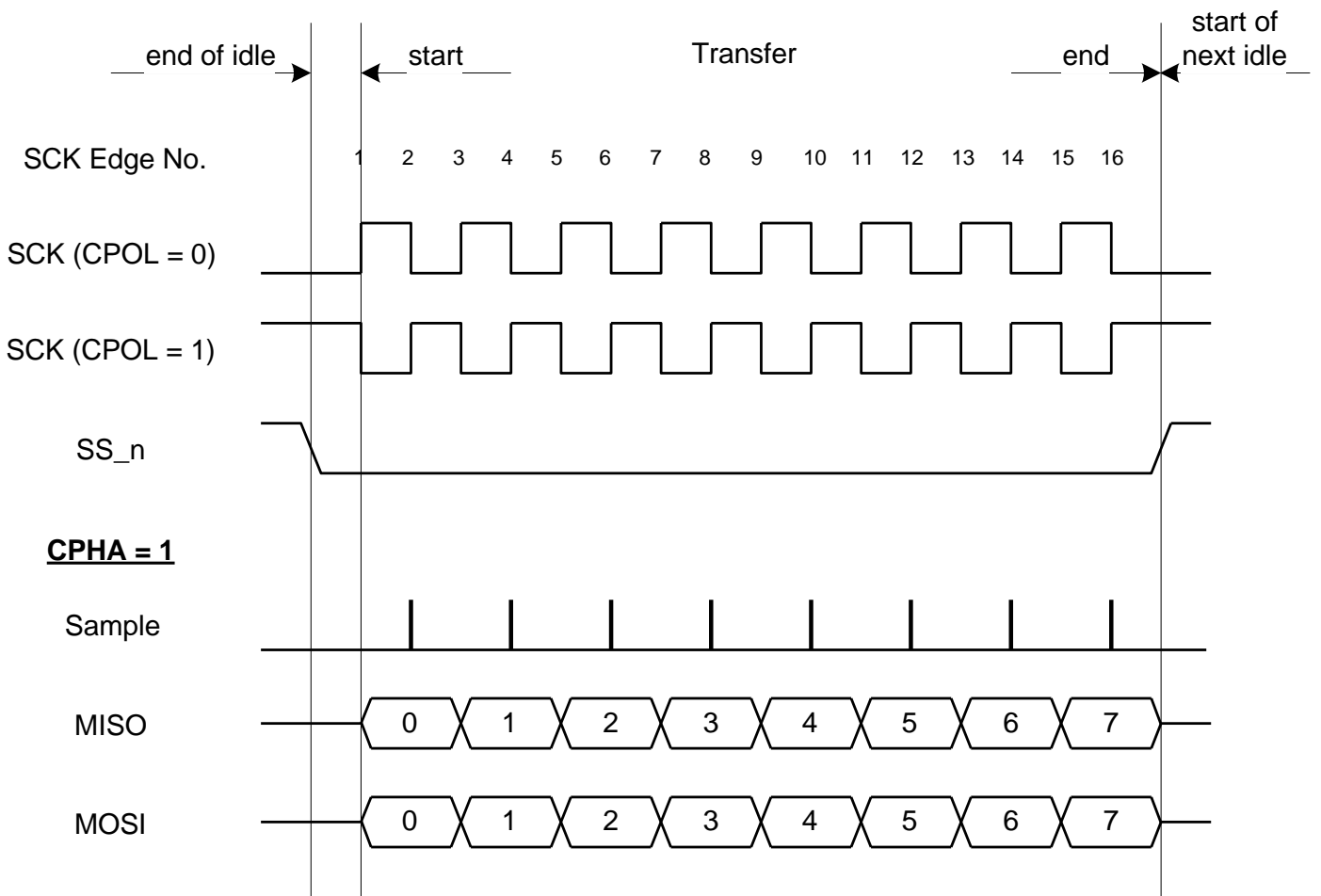


Figure 8.1: FT1248 Clock Format CPHA = 1

Note: The CPOL value may be selected in the EEPROM at the same time as selecting the FT1248 mode. This may be done with FT_PROG.

9 Modem Emulation

In some cases, it may be useful to enable the FT1248 mode to emulate a modem. There are 2 modem status commands available: Write Modem Status and Read modem Status

When the FT1248 master issues a write modem status command, the FT1248 master has the ability to set the following modem status signals. It also has the ability to read modem status bit RTS (Request To Send) and DTR (Data Terminal Ready)

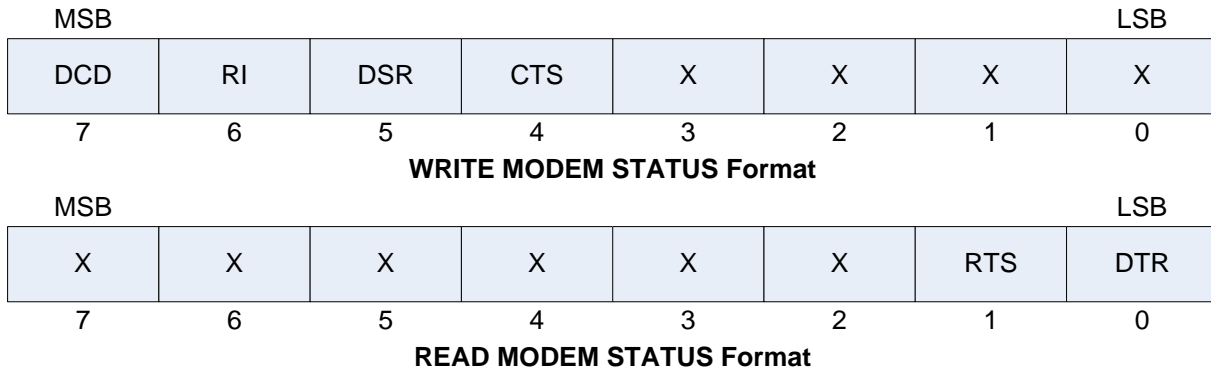


Figure 9.1: Modem Emulation Status Format

10 Contact Information

Head Office – Glasgow, UK

Future Technology Devices International Limited
Unit 1, 2 Seaward Place, Centurion Business Park
Glasgow G41 1HH
United Kingdom
Tel: +44 (0) 141 429 2777
Fax: +44 (0) 141 429 2758

E-mail (Sales) sales1@ftdichip.com
E-mail (Support) support1@ftdichip.com
E-mail (General Enquiries) admin1@ftdichip.com
Web Site URL <http://www.ftdichip.com>
Web Shop URL <http://www.ftdichip.com>

Branch Office – Taipei, Taiwan

Future Technology Devices International Limited (Taiwan)
2F, No. 516, Sec. 1, NeiHu Road
Taipei 114
Taiwan, R.O.C.
Tel: +886 (0) 2 8791 3570
Fax: +886 (0) 2 8791 3576

E-mail (Sales) tw.sales1@ftdichip.com
E-mail (Support) tw.support1@ftdichip.com
E-mail (General Enquiries) tw.admin1@ftdichip.com
Web Site URL <http://www.ftdichip.com>

Branch Office – Hillsboro, Oregon, USA

Future Technology Devices International Limited (USA)
7235 NW Evergreen Parkway, Suite 600
Hillsboro, OR 97123-5803
USA
Tel: +1 (503) 547 0988
Fax: +1 (503) 547 0987

E-Mail (Sales) us.sales@ftdichip.com
E-Mail (Support) us.support@ftdichip.com
E-Mail (General Enquiries) us.admin@ftdichip.com
Web Site URL <http://www.ftdichip.com>

Branch Office – Shanghai, China

Future Technology Devices International Limited (China)
Room 408, 317 Xianxia Road,
Shanghai, 200051, China
Tel: +86 21 62351596
Fax: +86 21 62351595

E-mail (Sales) cn.sales@ftdichip.com
E-mail (Support) cn.support@ftdichip.com
E-mail (General Enquiries) cn.admin@ftdichip.com
Web Site URL <http://www.ftdichip.com>

Distributor and Sales Representatives

Please visit the Sales Network page of the FTDI Web site for the contact details of our distributor(s) and sales representative(s) in your country.

Appendix A – References

FT232H Datasheet

<http://www.ftdichip.com/Support/Documents/TBD>

Application and Technical Notes available at

<http://www.ftdichip.com/Support/Documents/AppNotes.htm>

FT_PROG utility

http://www.ftdichip.com/Support/Utilities/FT_Prog_v1.12.zip

Appendix B – List of Figures and Tables

Figure 2.1 – FT232H Device FT1248 Mode Block Diagram	3
Figure 3.1: FT1248 Basic Waveform Protocol.....	4
Figure 4.1: FT1248 Command Structure	5
Figure 5.1: FT1248 1-bit Mode Interconnect.....	6
Figure 5.2: FT1248 1-bit Mode Protocol (WRITE)	7
Figure 5.3: FT1248 1-bit Mode Protocol (READ)	7
Figure 5.4: FT1248 2-bit Mode Interconnect.....	8
Figure 5.5: FT1248 2-bit Mode Protocol (WRITE)	9
Figure 5.6: FT1248 2-bit Mode Protocol (READ).....	9
Figure 5.7: FT1248 4-bit Mode Interconnect.....	10
Figure 5.8: FT1248 4-bit Mode Protocol (WRITE)	11
Figure 5.9: FT1248 4-bit Mode Protocol (READ).....	12
Figure 5.10: FT1248 4-bit Mode Interconnect.....	13
Figure 5.11: FT1248 8-bit Mode Protocol (WRITE)	14
Figure 5.12: FT1248 8-bit Mode Protocol (READ)	15
Figure 5.13: FT1248 Read (No Flow Control).....	16
Figure 5.14: FT1248 Write (No Flow Control)	17
Table 6.1: FT1248 Commands.....	18
Table 8.1: CPOL & CPHA Mode Numbers	20
Figure 8.1: FT1248 Clock Format CPHA = 1	21
Figure 9.1: Modem Emulation Status Format.....	22

Appendix C – Revision History

Version draft	First draft	28th January 2011
Version 1.0	First release	16th February 2011

Appendix D Legal Disclaimer:

System and equipment manufacturers and designers are responsible to ensure that their systems, and any Future Technology Devices International Ltd (FTDI) devices incorporated in their systems, meet all applicable safety, regulatory and system-level performance requirements. All application-related information in this document (including application descriptions, suggested FTDI devices and other materials) is provided for reference only. While FTDI has taken care to assure it is accurate, this information is subject to customer confirmation, and FTDI disclaims all liability for system designs and for any applications assistance provided by FTDI. Use of FTDI devices in life support and/or safety applications is entirely at the user's risk, and the user agrees to defend, indemnify and hold harmless FTDI from any and all damages, claims, suits or expense resulting from such use. This document is subject to change without notice. No freedom to use patents or other intellectual property rights is implied by the publication of this document. Neither the whole nor any part of the information contained in, or the product described in this document, may be adapted or reproduced in any material or electronic form without the prior written consent of the copyright holder. Future Technology Devices International Ltd, Unit 1, 2 Seaward Place, Centurion Business Park, Glasgow G41 1HH, United Kingdom. Scotland Registered Company Number: SC136640