
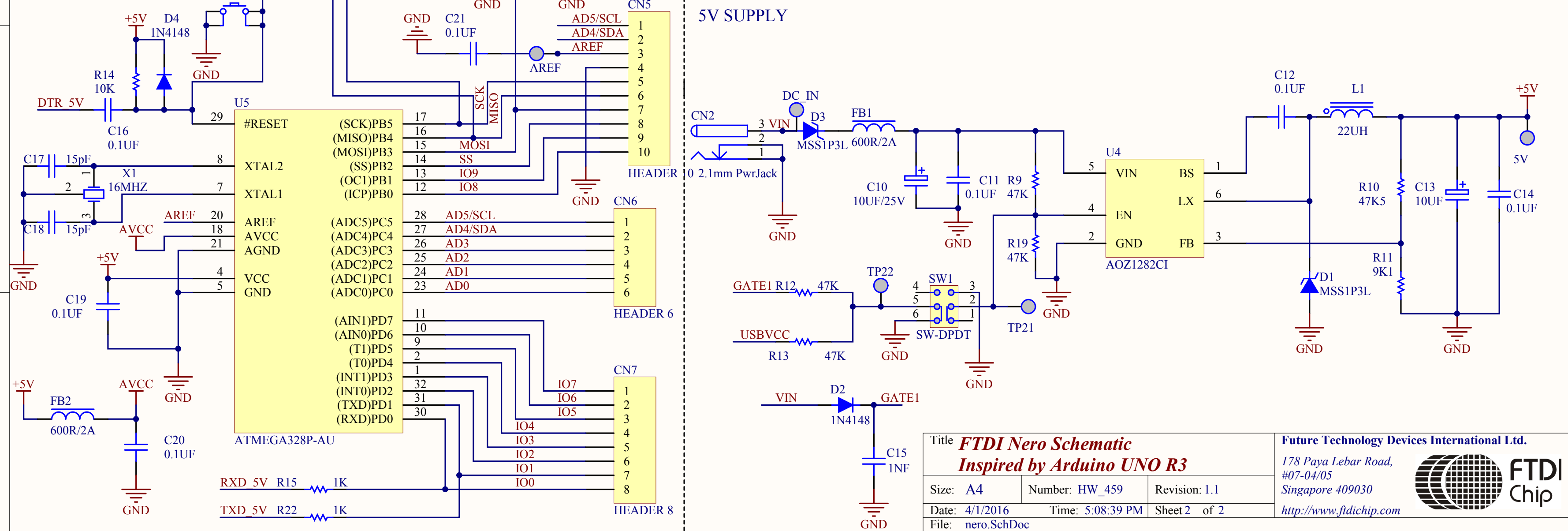
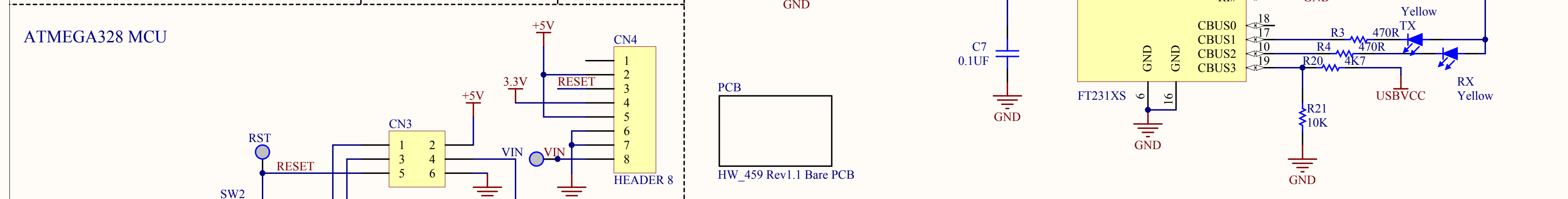
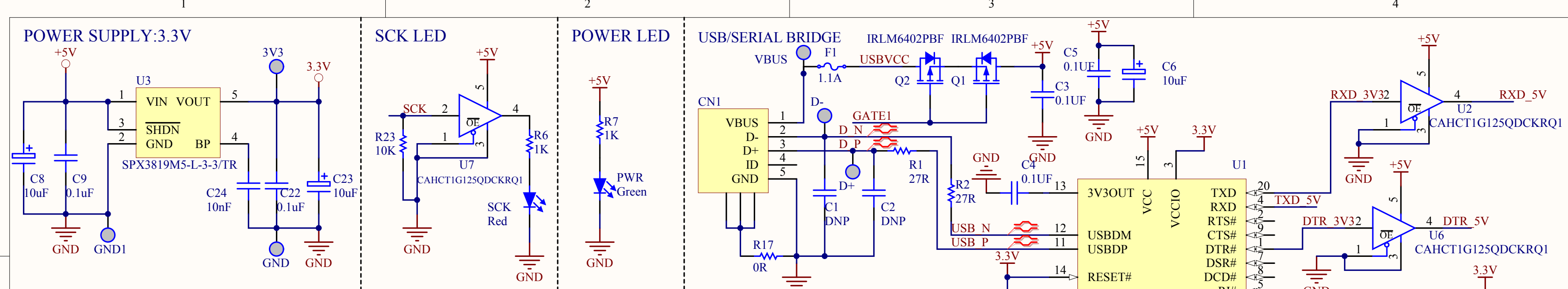


Title <b><i>FTDI Nero Schematic</i></b> <b><i>Revision History</i></b>			Future Technology Devices International Ltd. 178 Paya Lebar Road, #07-04/05 Singapore 409030 <a href="http://www.ftdichip.com">http://www.ftdichip.com</a>	
Size: A4	Number: HW_459	Revision: 1.1		
Date: 4/1/2016	Time: 5:08:39 PM	Sheet 1 of 2		
File: SCH_Revision_History.SchDoc				



Title <b>FTDI Nero Schematic</b> <i>Inspired by Arduino UNO R3</i>			Future Technology Devices International Ltd. 178 Paya Lebar Road, #07-04/05 Singapore 409030 <a href="http://www.ftdichip.com">http://www.ftdichip.com</a>	
Size: A4	Number: HW_459	Revision: 1.1		
Date: 4/1/2016	Time: 5:08:39 PM	Sheet 2 of 2		
File: nero.SchDoc				